



**DIRTY HAND  
TOOLS**

## **3000psi Pressure Washer 7HP/196cc Engine**



**MODEL # 101088**

# **Operation Manual**



**This safety alert symbol identifies important safety messages in this manual. Failure to follow this important safety information may result in serious injury or death.**

Part # 101377 Rev B

*Designed & Engineered in Colorado, USA*



*Assembled with Foreign & Domestic Components*

For Service or Questions

**Call 1-877-487-8275**

**720-287-5182**

**[www.dirtyhandtools.com](http://www.dirtyhandtools.com)**

Dirty Hand Tools® is a brand of



**FrictionlessWorld**

1100 W 120th Ave, Suite 600  
Westminster, CO 80234 • 720-287-5182

# Table of Contents

<b>Important Safety Information</b> .....	4
Unpacking and Setup .....	7
Setup and Assembly .....	9
Operation Precautions .....	9
Hose Connection .....	11
Filling with Gasoline and Oil.....	12
Operation Precautions .....	13
Operation .....	14
Maintenance.....	16
Troubleshooting .....	19
Storage .....	21
Warranty and Specifications .....	Back Cover

# Important Safety Information



**WARNING**

**WARNING:** Read and thoroughly understand all instructions and safety information before operating this pressure washer. Failure to do so may cause serious injury or death. Do not allow anyone to operate this pressure washer who has not read this manual. As with all power equipment, a pressure washer can be dangerous if used improperly. Do not operate this pressure washer if you have doubts or questions concerning safe operation.



Call our customer service department at **720-287-5182**, **1-877-487-8275**, or visit [www.dirtyhandtools.com](http://www.dirtyhandtools.com) if you have any questions or concerns about the safe operation of this equipment.



**DANGER**

## Intended Use

Do Not Use the pressure washer for any purpose other than for which it was designed. Any other use is unauthorized and may result in serious injury or death.

## Personal Protective Equipment

Wear ANSI-approved safety goggles, heavy-duty work gloves, protective clothing, appropriate footwear, and dust mask/respirator during operation. Wear ear plugs or noise deafening headphones when operating.



**CAUTION**

## Injection Hazard.

The high pressure water jet produced by this tool can cut skin or cause injury to hands or eyes. Do not allow spray to strike you and do not spray toward people or animals. Do not spray the tool itself or any electrical wiring/receptacle.

**People with pacemakers should consult their physician(s) before use.** Electromagnetic fields in close proximity to a heart pacemaker could cause pacemaker interference or pacemaker failure. Caution is necessary when near the engine's magneto or recoil starter.



## CALIFORNIA PROPOSITION 65 WARNING

Engine exhaust, some of its constituents and certain product components contain or emit chemicals known to the state of California to cause cancer and birth defects or other reproductive harm.

# Important Safety Information

## General Safety

Failure to follow warnings, cautions, assembly and operation instructions in the Operation Manual may result in serious injury or death.



### **READ THE OPERATION MANUAL BEFORE OPERATION.**

- **Do not** permit children to operate this equipment at any time. Do not permit others that have not read and understood the complete Operation Manual to operate this equipment.
- **Do not** operate the pressure washer when under the influence of alcohol, drugs or medication.
- **Do not** allow a person who is tired or otherwise impaired or not completely alert to operate the pressure washer.



### **NEVER place fingers, hands, or body near the pressure washer when it is running. Never spray towards people or animals.**

- Keep all people a minimum of six feet from the pressure washer during operation.
- Do not carry the spray handle with your finger on the trigger.
- Use this equipment with both hands only. Using equipment with only one hand can result in loss of control.
- Do not leave the pressure washer unattended when it is running. Turn off the engine before leaving the area.
- Never run the pressure washer in an enclosed area or without proper ventilation. The exhaust from the engine contains carbon monoxide, which is an odorless, tasteless, and deadly poisonous.
- Fill the gasoline tank outdoors with the engine off and allow the engine to cool completely.
- Do not operate the engine with the air cleaner or cover over the carburetor air-intake removed, except for adjustment. Removal of such parts could create a fire hazard.
- The muffler and engine become very hot with use and can cause a severe burn; do not touch. Allow the engine to cool before refueling, doing maintenance, or making adjustments.
- Only use cold water or pressure washer detergent in this tool. Do not use caustic materials, solvents, flammable materials, or detergents not designed for pressure washers.

# Important Safety Information

## Safety Decals

Safety labels on the pressure washer are to remind you of important information while you are operating the unit. Make sure all safety warning decals are attached and in readable condition. Replace missing or defaced decals. Contact Dirty Hand Tools at 1-877-487-8275 for replacement decals.

! DANGER		! WARNING	
	<b>Read Operator's Manual.</b> Understand all warnings and instructions before operating equipment.		<b>Risk of injection or severe injury.</b> Do not discharge stream towards persons or animals. Keep clear of nozzle. To be used only by qualified operators.
	<b>Risk of fire or explosion.</b> Shut off engine before adding fuel. Keep work area free of combustible materials. Do not spray flammable liquids.		<b>Risk of spray injury.</b> Spray can propel objects. Always wear ANSI approved safety glasses.
	<b>Risk to breathing.</b> Engine exhaust fumes can cause death. For outdoor use only in well ventilated area.		<b>Risk of chemical burn.</b> Never spray acids, corrosive or toxic chemicals. Use only cleaners formulated for pressure washers.
			<b>Risk of electrocution.</b> Never direct spray towards any electrical device or outlet.
			<b>Risk of unsafe operation.</b> Keep children away from this equipment. Spray gun kicks back. Hold with both hands.
			<b>Risk of hot surfaces.</b> Avoid contact with hot engine exhaust components. Do not allow hoses to contact hot surfaces during or after operation.

**! DANGER**

**USING AN ENGINE INDOORS CAN KILL YOU IN MINUTES**

Exhaust contains carbon monoxide which is a **poison** that you cannot see or smell.

**Never use inside a house or garage even with doors and windows open!**

**Use only outside away from windows, doors and vents!**

**! WARNING**

**To prevent serious injury:** Operation of this equipment may create sparks that can start fires around dry vegetation or flammable materials. A spark arrestor may be required. Operator should contact local fire agencies for laws and regulations regarding fire prevention requirements.

**! CAUTION**

**HOT MUFFLER!** TO PREVENT BURNS, DO NOT TOUCH MUFFLER OR OTHER EXHAUST COMPONENTS.

**! WARNING**

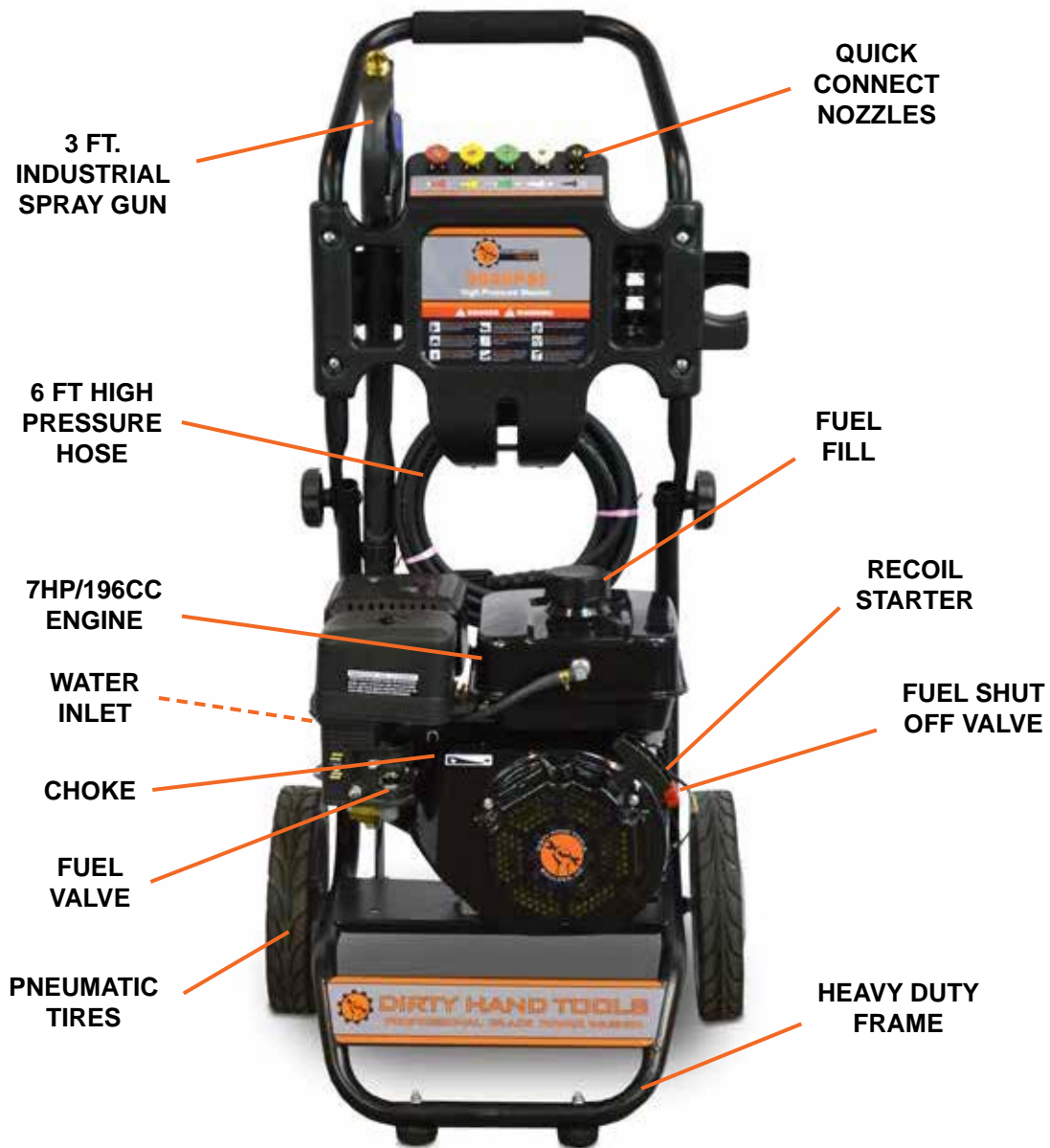
**To prevent serious injury and fire:**

1. Do not add fuel while the engine is running or when the engine is hot.
2. Do not smoke while filling with fuel.
3. Do not overfill.

Use only fresh gasoline. Empty fuel before storage. 101065

# Unpacking and Setup

Your pressure washer is shipped with the handle bar unattached, the spray nozzles, the high pressure hose, spray lance and spray gun in separate packaging. Save the packing materials and box for future use as a storage container. Carefully follow the assembly instructions to attach the handlebar, high pressure hose, spray lance and spray gun. **COMPLETELY READ AND UNDERSTAND THE OPERATOR'S MANUAL BEFORE ATTEMPTING TO OPERATE THE PRESSURE WASHER.**



# Unpacking and Setup

## Unpacking

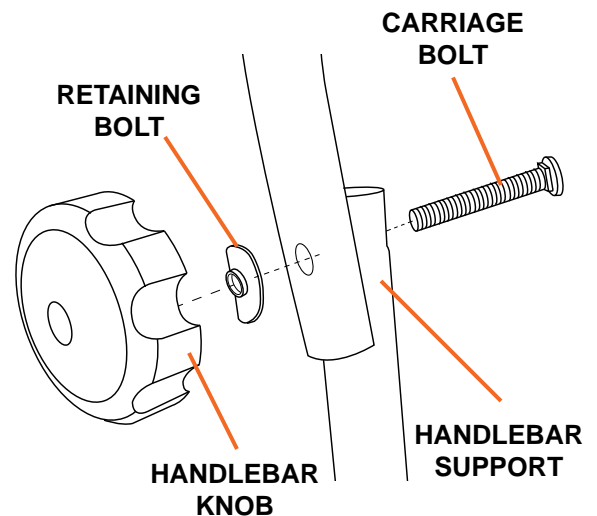
1. Remove the power washer, the handlebar, high pressure hose, spray gun, lance and color-coded nozzles from the shipping container. If you are missing any items, please call Dirty Hand Tools Customer Service at 1-720-287-5182.
2. Fill out and send in enclosed registration card. Write the model number, serial number & date of purchase to ensure warranty registration and keep a copy for your records.

## Assembly

Read entire operator's manual before you attempt to assemble or operate the power washer.

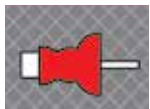
### Attaching the Handlebar

1. Place handlebar onto handlebar supports. Align the holes and push the carriage bolt through both the support and the handlebar then add the curved retaining washer and thread on the knob and tighten. Repeat for both sides of the handlebar with the knobs to the outside.

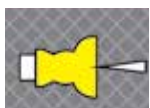


### Inserting the Color Coded Nozzles

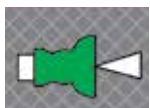
1. Align the appropriate color coded nozzle with the matching color receptacle and push into place on the nozzle holder assembly attached to the upper handlebars.



Red Nozzle - High Pressure Straight Stream  
0° angle of spray from center of nozzle



Yellow Nozzle - Medium to High Pressure  
15° angle of spray from center of nozzle



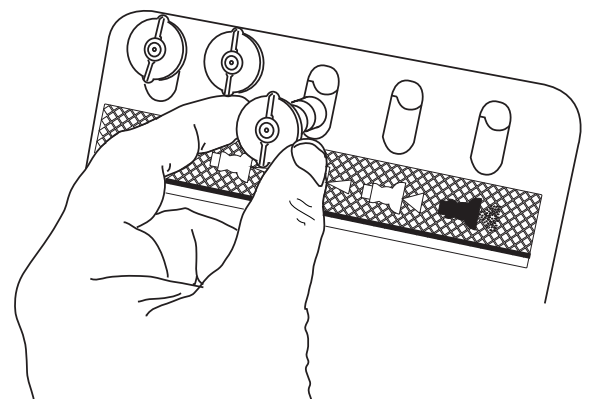
Green Nozzle - Medium Pressure  
25° angle of spray from center of nozzle



White Nozzle - Low Pressure  
40° angle of spray from center of nozzle



Black Nozzle - Low Pressure  
Wide broadcast spray for detergent





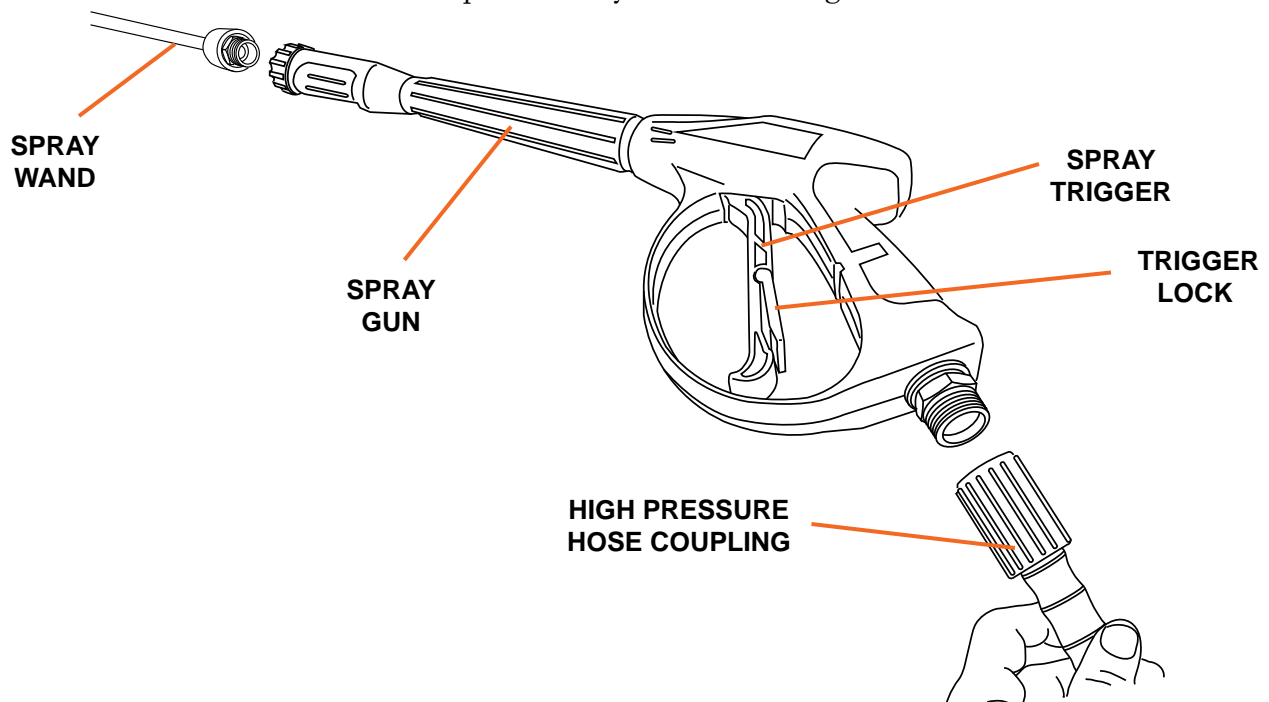
# Setup and Assembly

## Attaching the spray wand to the spray gun.

1. Carefully thread the spray wand on to the spray gun and tighten by hand only. Never tighten with pliers or wrench as extra pressure may cause the fittings to crack or break.

## Attaching the high pressure hose to the spray gun.

1. Carefully thread the high pressure hose onto the spray gun and tighten by hand only. Never tighten with pliers or wrench as extra pressure may cause the fittings to crack or break.



DANGER

**The high pressure water stream can cut through skin and underlying tissues, leading to serious injury.**

Always use caution in operating a high pressure washer, making sure that the spray gun, wand, spray nozzle and all connecting hoses are correctly attached, tightened and secure.

# Setup and Assembly

## Attaching the Spray Nozzle to the Wand

The quick-connect on the nozzle wand allows you to switch between different nozzles. Nozzles can be changed while power washer is running once spray gun trigger is locked in the safety position. The nozzles vary the pressure and spray pattern as shown on page 8.

Align the nozzle with the spray wand and firmly press into position. Do not twist the nozzle while spraying.



DANGER

**NEVER** exchange nozzles without the trigger lock being engaged on the spray gun.

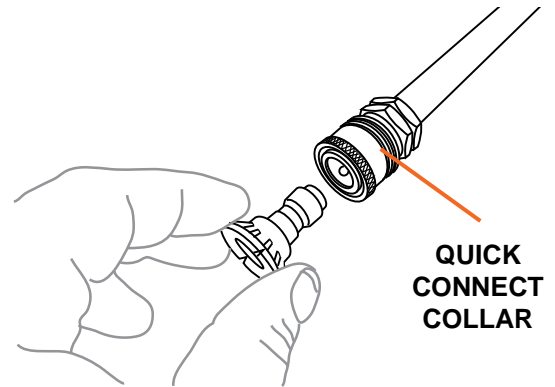
- For most effective cleaning, keep nozzle from 8 to 24 inches away from cleaning surface.
- Using the wand and spray nozzle too close to the object you are cleaning may result in damaging the surface of the object. Be especially careful when using the high pressure nozzle attachments (the red and yellow coded nozzles).

## Changing the Spray Nozzle on the Wand

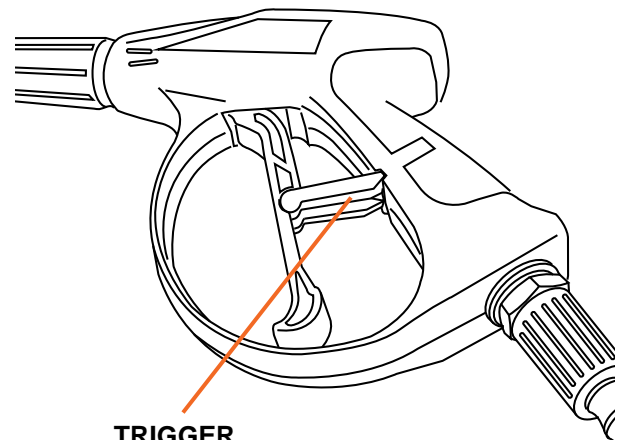
1. Engage the trigger lock on the spray gun. Pull back collar on the quick-connect and pull current nozzle off. Store nozzles in holder provided on the accessory storage.
2. Select desired nozzle according to color code and application.
3. Pull back on collar, insert new nozzle and release collar. Tug on nozzle to make sure it is secured in position.

## Nozzle Selection

- For delicate rinse use the **low pressure white nozzle**. This is ideal for gentle cleaning of autos, trucks, boats, RV's, patio furniture, lawn equipment, etc.
- For general rinsing use the **medium pressure green or yellow nozzle**. Good for all purpose cleaning, house siding, patios, decks, driveways, sidewalks, garage floors, etc.
- For maximum rinsing power use the **high pressure red nozzle**. Use for paint removal, oil stains, rust stains, tar, gum, grease, wax and removal of other similar materials.
- Use the **black nozzle** when applying detergent. Use only recommended power washing detergent to avoid clogging.



QUICK  
CONNECT  
COLLAR



TRIGGER  
LOCK  
ENGAGED  
POSITION

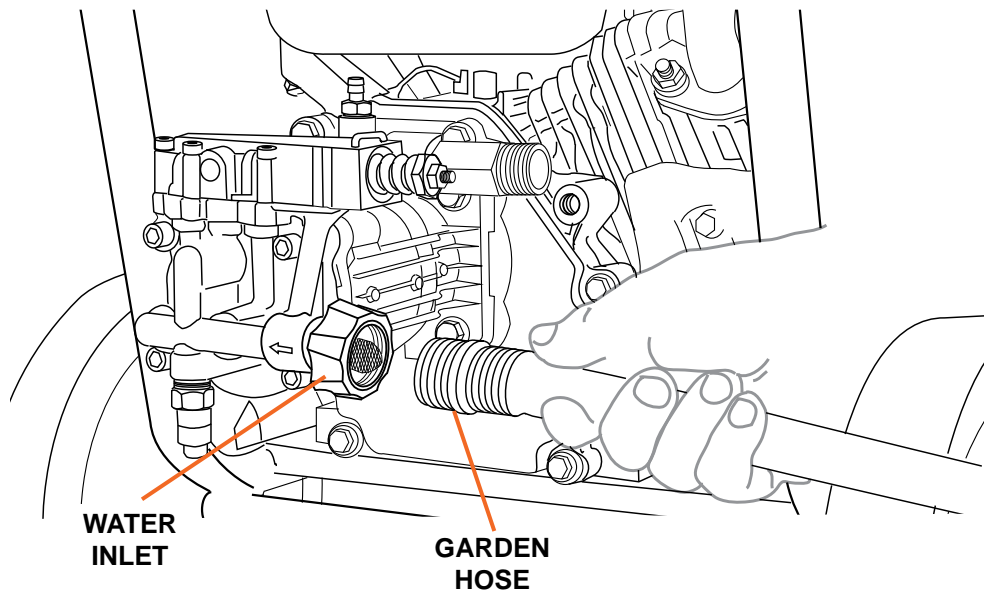


# Hose Connection

## Attaching the Hoses

1. Run water through a 3/4 inch garden hose for 30 seconds to clean out any debris.
2. Before connecting the garden hose to the water inlet, inspect and clean screen if it contains debris or replace if damaged.
3. Connect the garden hose (50 feet or less in length) to the water inlet. Tighten by hand. **Do not use a connection to hot water.**
4. Uncoil and connect the high pressure hose to the pump inlet. Tighten by hand.

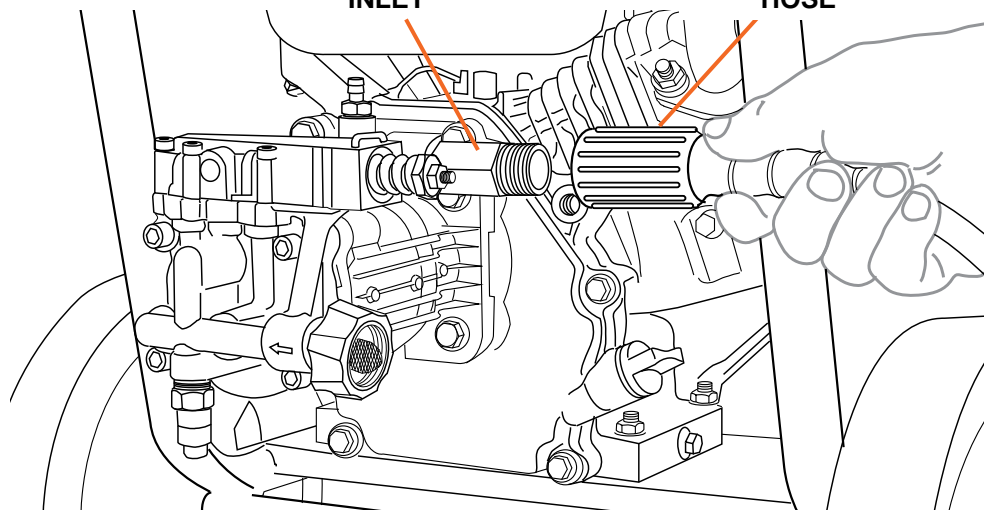
Note: Never tighten hose connections with pliers or wrench as extra pressure may cause the fittings to crack or break.



DETERGENT  
SIPHON

PUMP  
INLET

HIGH PRESSURE  
HOSE



# Filling with Gasoline and Oil



WARNING

**FUEL IS HIGHLY FLAMMABLE AND POISONOUS**

**ALWAYS FILL THE TANK WITH  
ENGINE OFF AND COOL.**

**ALWAYS CHECK THE FUEL LEVEL  
BEFORE OPERATING.**

Allow the engine to cool for at least two minutes before removing the fuel cap.

1. Place the pressure washer on a level surface. Set up outdoors in a well-ventilated area.
2. The fuel tank holds approximately 0.90 gallon of fuel. 87+ octane unleaded gasoline is recommended. Do not fill above the top of the fuel filter. Replace the fuel cap securely and wipe any excess from the fuel tank before starting the generator.



WARNING

**DO NOT REFUEL INDOORS OR NEAR ANY SOURCE  
OF POSSIBLE COMBUSTION.**

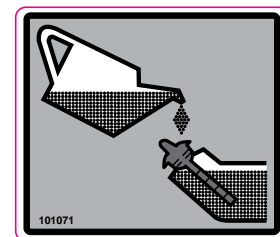
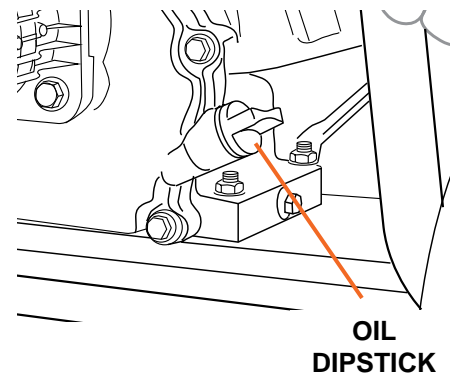
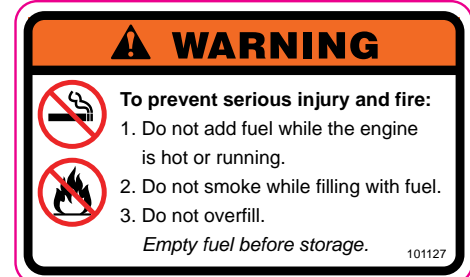
**DO NOT SMOKE WHILE FUELING.**

**DO NOT OVERFILL.**

**THE PRESSURE WASHER IS SHIPPED WITHOUT  
FLUIDS. YOU MUST ADD OIL BEFORE STARTING  
THE ENGINE.**

3. Add engine oil to the upper level of the oil filler hole. SAE 10/30 motor oil is recommended for most environmental conditions. The oil capacity is 0.50 quarts (0.5).

Note: Do not thread the dipstick in when checking the oil level.



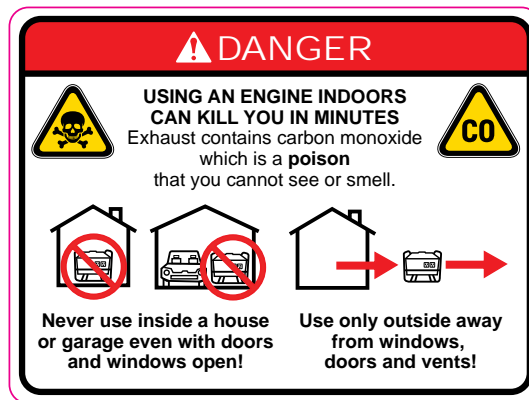
# Operation Precautions



DANGER

## CARBON MONOXIDE HAZARD USING AN ENGINE INDOORS CAN KILL YOU IN MINUTES.

Engine exhaust contains carbon monoxide.  
This is a poison you cannot see or smell.



1. Keep all safety guards in place and in proper working order at all times, including covers for the air cleaner and muffler.
2. NEVER place fingers, hands, or body near the pressure washer when it is running.
3. Keep all people a minimum of ten feet from the pressure washer during operation. Never point spray gun at a person or animal.
4. Never transport the pressure washer with hand on the spray gun trigger.
5. Do not leave the pressure washer unattended when it is running. Turn off the engine before leaving the area.
6. Do not operate in explosive atmospheres, such as in the presence of flammable liquids, gases, or dust. Gasoline-powered engines may ignite the dust or fumes.
7. Do not use this piece of equipment while tired or under the influence of drugs, alcohol or medication.
8. Parts, especially exhaust system components, get very hot during use. Stay clear of hot parts. Do not touch the muffler.
9. Do not cover the pressure washer during operation.
10. Wear appropriate clothing, footwear, gloves and eye goggles protection during operation. Spray can splash back or propel objects.

# Operation



CAUTION

**ALWAYS CHECK ALL CONNECTIONS AND OIL /FUEL LEVELS BEFORE STARTING THE ENGINE.**

**Do not run the engine without engine oil, or with low engine oil, which will permanently damage the engine.**

**DO NOT OPERATE** without the water supply connected and turned on. Running the pressure washer without water will damage the pump.

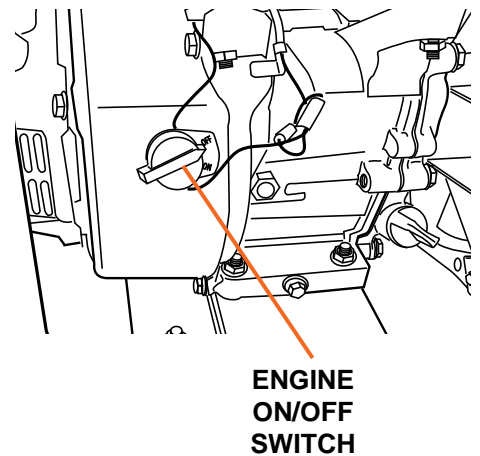
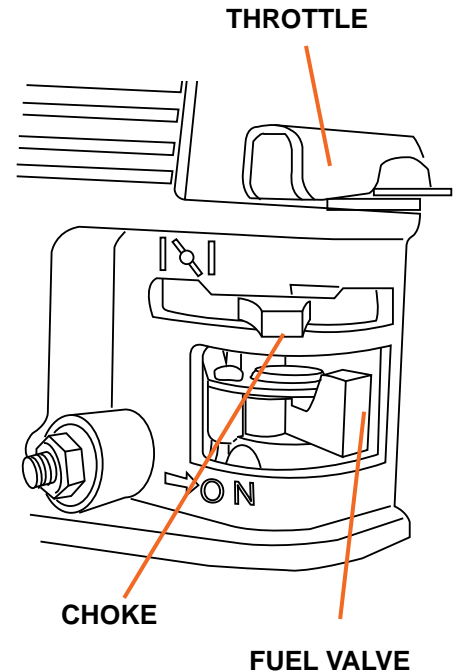
## Starting the Engine

1. To start a cold engine, move the choke to the **CHOKE** position (to the left). To restart a warm engine, leave the Choke in the **RUN** position (to the right).
2. Open the fuel valve by sliding switch to the right.
3. Slide the throttle 1/3 of the way to the right.
4. Turn the engine switch on.
5. Grip the recoil starter handle and pull slowly several times to allow the gasoline to flow into the engine's carburetor. Then pull the recoil starter handle gently until resistance is felt. Allow cable to retract fully and then pull it quickly. Repeat until the engine starts.
6. Allow the engine to run for several seconds. Then move the choke lever slowly to its **RUN** position (to the right). Moving the choke lever too fast could stall the engine.
7. Adjust the throttle as needed.

**IMPORTANT:** Allow the engine to run for a few minutes before operating the pressure washer to allow the engine to stabilize.

## Break-in Period

Breaking-in the engine will help ensure longer engine life and proper equipment operation. After about 20 hours of use, the maintenance break-in period, change the engine oil. **Failure to change the oil regularly may damage the engine and void the warranty.** Under normal operating conditions follow the maintenance schedule (see page 16).



# Operation



CAUTION

**Running the engine on the power washer for 3-5 minutes without pressing the trigger on the spray gun, can cause water to reach temperatures above 125°F.**

Carefully discharge warm water onto the ground.



DANGER

**Spray gun traps high water pressure, even when engine is stopped and water is disconnected, which can cause injury.**

## Stopping the Engine

1. Release the spray gun trigger.
2. To stop the engine in an emergency, turn the engine switch off.
3. Under normal conditions, slide the throttle to the right and turn the engine switch to the off position.
4. ALWAYS point spray gun in a safe direction, and squeeze spray gun trigger to release retained high water pressure. Engage trigger lock when not in use.
5. Turn OFF water supply.
6. Keep high pressure hose connected to pump and spray gun while system is pressurized.
7. ALWAYS engage trigger lock when not in use.

## Cleaning Recommendations

1. Before cleaning any object, select a small test area to determine distance of wand from object and nozzle size.
2. Prerinse object to be cleaned with fresh water and garden hose before using the pressure washer.
3. Keep the spray nozzle at least 8 inches away from object being cleaned. The high pressure nozzle may remove finishes.
4. For best results use the pressure washer from top to bottom, from left to right using a sweeping, overlapping motion.
5. Limit the work area to about 6 linear feet or 25 square feet.
6. If using a detergent do not allow it to dry on the surface being cleaned. Allow detergent to remain on surface for about 3 minutes before rinsing with water.



**WARNING**

**BEFORE PERFORMING ANY MAINTENANCE PROCEDURE STOP THE ENGINE, WAIT FIVE (5) MINUTES TO ALLOW ALL PARTS TO COOL.**

**Turn the engine switch to the OFF position.**

Regular maintenance is the way to ensure the best performance and long life of your machine. Please refer to this manual and the engine manufacturer's owner's manual for maintenance procedures.

## Maintenance Checklist

Maintenance Procedure	Before Each Use	Monthly/ 20 Hours	Every 6 Mo./ 50 Hours	Annually/ 100 Hours
Clean Exterior Surfaces	X	X	X	X
Remove Accumulated Debris	X	X	X	X
Check Engine Oil Level	X	X	X	X
Change Engine Oil*		X	X	X
Check /Clean Water Inlet Screen	X	X	X	X
Check High Pressure Hose	X	X	X	X
Check Detergent Siphoning Hose/Filter	X	X	X	X
Check Spray Gun & Hose Connections	X	X	X	X
Check/Clean Air Filter**			X	X
Check Muffler and Spark Arrestor			X	X
Clean/Replace Spark Plug				X

\* Change engine oil after the first 5 hours of operation as break-in period

\*\* Change/clean air filter more frequently if in dusty environment

- The pump is pre-lubricated and factory sealed requiring no additional maintenance for the life of the pump.
- Keep area around muffler free from any combustible debris.
- Air slots and openings on the power washer must be clean and unobstructed.
- Power washer parts should be clean to reduce overheating or ignition of debris.





# Maintenance



WARNING

**To prevent serious injury from accidental starting turn the power switch on the engine to its “OFF” position.**

To eliminate pressure discharge the spray gun by pressing the trigger then moving it into the locked position. Wait for the engine to cool before performing any maintenance procedure.

- **DO NOT insert any objects through cooling slots.**
- **Use a soft bristle brush to loosen caked on dirt, oil, etc.**
- **Use a vacuum cleaner to pick up loose dirt and debris.**

## **Intake Screen**

Examine the screen on the pump's water inlet. Clean it if the screen is clogged or replace it if screen is damaged.

## **Check High Pressure Hose**

High pressure hoses can develop leaks from wear and kinking. Inspect hoses each time before use. Never repair the high pressure hose. Replace the hose immediately with a suitable hose that meets or exceeds the original rating.

## **Changing /Cleaning the Air Filter**

1. Loosen wing nut and remove cover. Carefully remove filter assembly. Remove foam filter. Clean cartridge by gently tapping on a flat surface. Reinstall the foam filter, then reinstall clean or new cartridge assembly. Install cover and tighten wing nut.

## **Detergent Siphoning Tube**

Examine the filter on the detergent tube and clean if clogged. The tube should fit tightly on the barbed fitting. Replace the filter or tube if damaged.

## **Spray Gun**

Examine the hose connection to the spray gun and make sure it is secure. Test by pressing the trigger, if it “springs back” into place when you release it, replace the spray gun immediately.

## **Nozzles**

A pulsing sensation felt while squeezing the spray gun trigger indicates excessive pump pressure caused by a clogged nozzle. Clean the nozzle with a paper clip or stick pin to free debris.

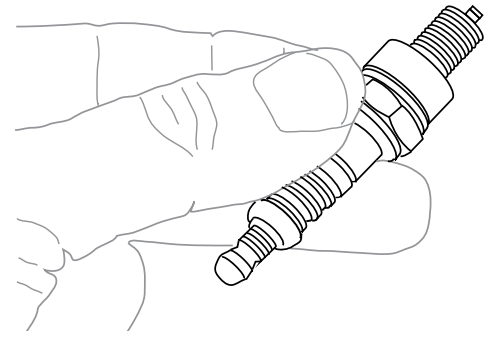
## **Spray Wand**

Remove nozzle from the wand. Remove the wand from the spray gun assembly and flush with a garden hose for 30 - 60 seconds. Reinstall wand onto the spray gun and test with nozzle attached.

# Maintenance

## Spark Plug Maintenance:

1. Disconnect spark plug wire from the end of plug. Clean out debris from around the spark plug.
2. Using a spark plug wrench, remove the spark plug. If the spark plug is oily, clean it with a dry rag. If the electrode has deposits on it, polish it using emery paper. If the white insulator is cracked or chipped, replace the spark plug.
3. When installing a new spark plug, adjust the plug's gap to the specification on the technical specification chart. Do not pry against the electrode or the insulator, the spark plug can be damaged.
4. Install the new spark plug or the cleaned spark plug into the engine. Gasket style spark plugs should be finger-tightened until the gasket contacts the cylinder head, then turned about 1/2 to 2/3 more rotation. Non-gasket-style spark plugs should be finger-tightened until the plug contacts the head, then about 1/16 turn more.



WARNING

**Oil is very hot during operation and can cause burns. Wait for engine to cool before changing oil.  
Do not run the engine with too little oil.  
The engine will be permanently damaged.**

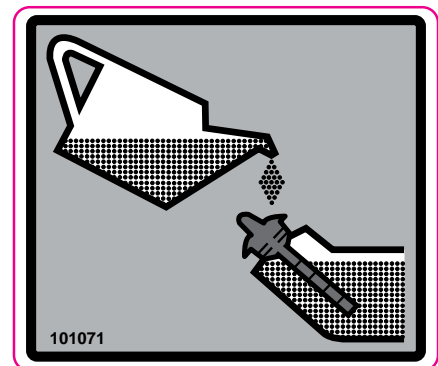
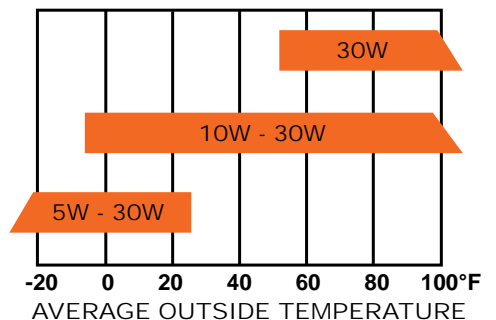
## Changing the engine oil

1. Make sure the engine is stopped and is level.
2. Close the fuel valve.
3. Place a drain pan underneath the crankcase's drain plug.
4. Remove the drain plug and, if possible, tilt the crankcase slightly to help drain the oil out.
5. Replace the drain plug and tighten it.
6. Clean the top of the dipstick and the area around it. Remove the dipstick by threading it counterclockwise, and wipe it off with a clean lint free rag.

Note: Do not thread the dipstick in when checking the oil level.

7. Add the appropriate type of oil until the oil level is at the full level. SAE 10W-30 oil is recommended for general use for temperatures above 32°F. Use SAE 5W-30 for temperatures consistently below 32°F.
8. Thread the dipstick back in clockwise.

## SAE VISCOSITY GRADES



# Engine Troubleshooting



WARNING

## BEFORE PERFORMING ANY MAINTENANCE PROCEDURE STOP THE ENGINE, WAIT FIVE (5) MINUTES TO ALLOW ALL PARTS TO COOL.

Disconnect the spark plug wire, keeping it away from the spark plug.

PROBLEM	SOLUTION
<p><b>The engine will not start.</b></p> <ul style="list-style-type: none"> <li>• No fuel in tank or fuel valve closed.</li> <li>• Choke not in start position.</li> <li>• Low quality or deteriorated, old gasoline.</li> <li>• Dirty fuel passageways blocking fuel flow.</li> <li>• Carburetor needle stuck. Smell of fuel in air.</li> <li>• Too much fuel in chamber.</li> <li>• Spark plug wire not connected securely.</li> <li>• Spark plug electrode wet or dirty.</li> <li>• Incorrect spark plug gap.</li> <li>• Spark plug wire or spark plug broken.</li> <li>• Cylinder not lubricated after long storage.</li> <li>• Clogged fuel filter.</li> </ul>	<ul style="list-style-type: none"> <li>• Add fuel and open fuel valve.</li> <li>• Place choke in START position and pull recoil starter.</li> <li>• Drain fuel. Add fresh 87+ octane unleaded gasoline.</li> <li>• Clean out fuel passageways using fuel additive.</li> <li>• Gently tap side of carburetor with screwdriver handle.</li> <li>• Turn choke to RUN position.</li> <li>• Connect spark plug wire securely to spark plug.</li> <li>• Remove and clean spark plug. Reinstall spark plug and restart.</li> <li>• Reset spark plug gap according to specifications.</li> <li>• Replace spark plug and/or spark plug wire.</li> <li>• Remove spark plug. Pour tablespoon of oil into spark plug hole. Replace spark plug. Crank engine a few times and try to start.</li> <li>• Replace fuel filter.</li> <li>• If the engine still will not start, visit our web site at <a href="http://www.dirtyhandtools.com">www.dirtyhandtools.com</a> or call 1-877-487-8275 for assistance.</li> </ul>
<p><b>Engine misfires, backfires or knocks.</b></p> <ul style="list-style-type: none"> <li>• Spark plug wire loose.</li> <li>• Incorrect spark plug gap.</li> <li>• Spark plug wire or spark plug broken.</li> <li>• Low quality or deteriorated, old gasoline.</li> <li>• Engine too cold.</li> <li>• Engine knocks.</li> </ul>	<ul style="list-style-type: none"> <li>• Tighten spark plug wire.</li> <li>• Reset spark plug gap according to specifications.</li> <li>• Replace spark plug and/or spark plug wire.</li> <li>• Drain fuel. Add new fresh 87+ octane unleaded gasoline.</li> <li>• Use cold weather fuel and oil additives.</li> <li>• Engine overloaded, do not exceed recommended load rating.</li> </ul>
<p><b>Engine stops suddenly.</b></p> <ul style="list-style-type: none"> <li>• Low quality or deteriorated, old gasoline.</li> <li>• Defective fuel cap creates vacuum.</li> <li>• Improper idle speed.</li> <li>• Incorrect timing, deposit buildup, worn engine or other mechanical problem.</li> </ul>	<ul style="list-style-type: none"> <li>• Drain fuel. Add fresh 87+ octane unleaded gasoline.</li> <li>• Test and replace fuel cap.</li> <li>• Move choke to RUN position.</li> <li>• Requires qualified technician.</li> </ul>

# Pressure Washer Troubleshooting

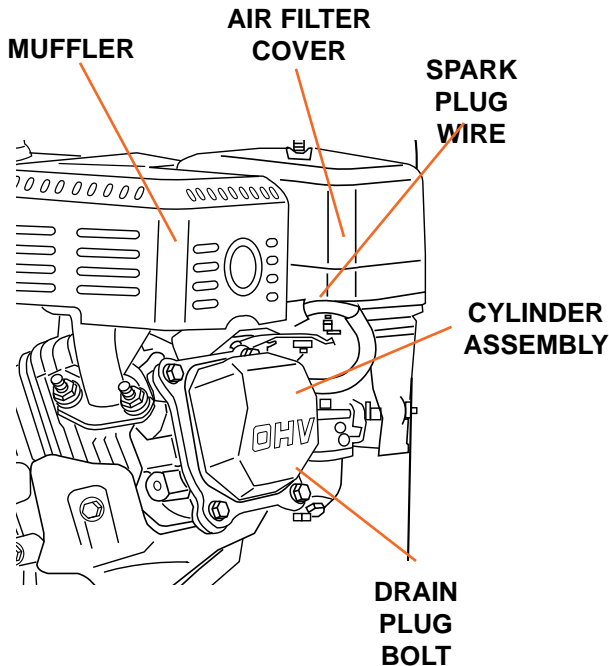
PROBLEM	SOLUTION
<b>No pressure, low or inconsistent pressure.</b>	<ul style="list-style-type: none"> <li>• Replace low pressure nozzle with high pressure nozzle.</li> <li>• Clear water inlet.</li> <li>• Provide adequate water flow.</li> <li>• Check for kinking, straighten inlet hose, repair any leak.</li> <li>• Check and clean inlet hose screen.</li> <li>• Inlet hose too small, use 3/4 inch diameter garden hose.</li> <li>• Turn inlet (garden hose) tap on to full pressure.</li> <li>• Water supply over 100°F, connect to cooler water supply.</li> <li>• Clear blockage in outlet hose or replace hose.</li> <li>• Replace spray gun if it is leaking.</li> <li>• Clean obstructed nozzle.</li> <li>• Contact service facility to check faulty pump.</li> </ul>
<b>Detergent does not mix with spray.</b>	<ul style="list-style-type: none"> <li>• Submerge detergent siphoning tube into detergent.</li> <li>• Clean or replace filter/detergent siphoning tube.</li> <li>• Replace with high pressure nozzle with low pressure nozzle.</li> <li>• Dilute detergent that is too thick.</li> </ul>
<b>Nozzle clogged.</b>	<ul style="list-style-type: none"> <li>• Engage trigger lock, remove nozzle and clean nozzle with a paper clip, needle or stick pin. Replace nozzle.</li> <li>• Engage trigger lock, remove nozzle and wand from spray gun. Flush wand for 30-60 seconds with garden hose. Replace wand and nozzle.</li> </ul>
<b>Spray wand leaks.</b>	<ul style="list-style-type: none"> <li>• Tighten all fittings.</li> <li>• Replace worn o-ring.</li> <li>• Flush wand for 30-60 seconds with garden hose.</li> </ul>
<b>Pump is noisy.</b>	<ul style="list-style-type: none"> <li>• Turn engine off. Remove all hose connections, check for debris or obstruction, clean and replace all hoses making sure that connections are tight.</li> <li>• Make sure that washers are present and in good condition.</li> <li>• Turn off engine. Purge air from pump by squeezing trigger until steady water stream is present.</li> </ul>

# Storage



WARNING

**Drain the fuel tank in a well-ventilated area away from ignition sources. If the engine is hot from use, shut the engine off and wait for it to cool before draining fuel. Do not smoke near the fuel tank.**



1. Turn off engine. Squeeze spray gun trigger until all pressure is removed. Remove all hose connections. Turn on machine for a few seconds to release all water in system.
2. Wait for the engine to cool, then clean the engine with a clean cloth.
3. When the pressure washer is to be stored for longer than 20 days, prepare the engine for storage by emptying the fuel tank and draining all fuel lines.
4. Remove the drain bolt from the bottom of the carburetor bowl and allow the fuel to drain.
5. Clean out area around spark plug and remove. Pour one tablespoon of engine oil into the cylinder through the spark plug hole. Reinstall the spark plug, but leave the spark plug wire disconnected. Pull recoil starter handle to distribute oil in the cylinder. Stop after one or two revolutions when you feel the piston start the compression stroke (when you start to feel resistance).
6. Apply a thin coat of rust preventive oil to all uncoated metal parts.
7. Cover and store in a dry, well-ventilated area that does not reach freezing temperatures, out of reach of children and away from water heaters, clothes dryers, furnaces and other ignition sources.





# Warranty & Specifications

## IMPORTANT NOTICE

We, the manufacturer, reserve the right to change the product and/or specifications in this manual without notification. The manual is for information usage only and the pictures and drawings depicted herein are for reference only.

## Warranty Repair and Service

Do not return this product to the store for warranty issues or repair. Call our customer service department at **720-287-5182**, **1-877-487-8275**, or visit [www.dirtyhandtools.com](http://www.dirtyhandtools.com) for the location of the nearest service center.

**Record the information below for future reference.**

**Model No.** \_\_\_\_\_

**Serial No.** \_\_\_\_\_

**Date of Purchase** \_\_\_\_\_

**Place of Purchase** \_\_\_\_\_

## Specifications

SKU/Part No.	101088
Description	3000psi Pressure Washer
Engine	7 HP 196CC*, EPA/CARB Approved
Flow	2.4 Gallons/minute
Nozzles	5 Quick Connect: 40°, 25°, 15°, 0° and Detergent
Hose	6 ft.
Coupler Size	3/8"
Gun	Industrial rear entry with 3 foot lance
Oriface Size	3.5
Max. Inlet Water Temp.	140°F
Max. Output Water Temp.	140°F
Chemical Injector	Yes
Adjustable Pressure	Yes
Dimensions	21"L x 19"W x 41"H
Weight	68.3 Lbs.

\*As rated by engine manufacturer

Dirty Hand Tools® is a brand of  
 **FrictionlessWorld**  
1100 W 120th Ave., Suite 600  
Westminster, CO 80234 • 720-287-5182

For Service or Questions  
**Call 1-877-487-8275**  
**720-287-5182**  
[www.dirtyhandtools.com](http://www.dirtyhandtools.com)