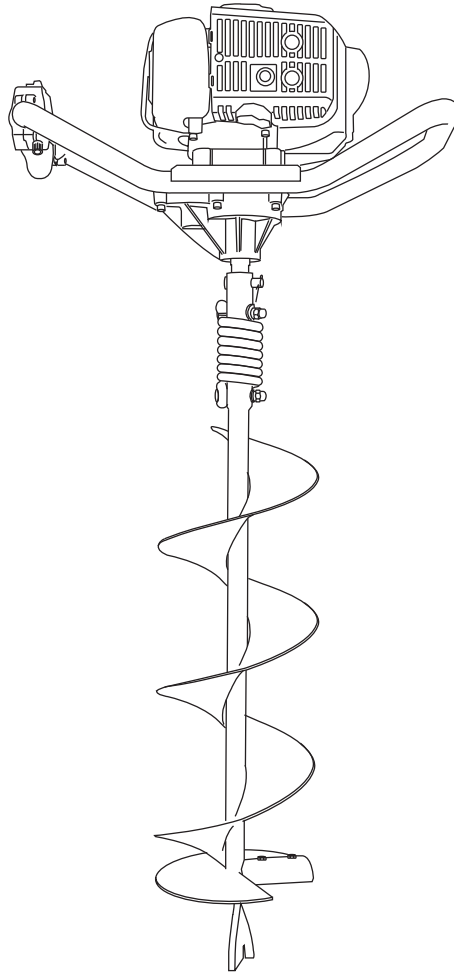




**DIRTY HAND
TOOLS**

Hand Held Post Hole Digger



MODEL # 104306

Operation Manual



This safety alert symbol identifies important safety messages in this manual. Failure to follow this important safety information may result in serious injury or death.

Part # 104893 Rev A

Designed & Engineered in Colorado, USA



Assembled with Foreign & Domestic Components

For Service or Questions

Call 1-877-487-8275

720-287-5182

www.dirtyhandtools.com

Dirty Hand Tools® is a brand of



FrictionlessWorld

1100 W 120th Ave, Suite 600
Westminster, CO 80234 • 720-287-5182

Table of Contents

Important Safety Information	4
Intended Use	4
Personal Protective Equipment	4
General Safety	5
Safety Decals	7
Auger Assembly	8
Operation	10
Maintenance	11
Troubleshooting	11
Warranty & Specifications	Back Cover

Important Safety Information



WARNING

WARNING: Read and thoroughly understand all instructions and safety information before assembling or operating this post hole digger. Failure to do so may cause serious injury or death. Do not allow anyone to operate this post hole digger who has not read this manual. As with all power equipment, a post hole digger can be dangerous if assembled or used improperly. Do not operate if you have doubts or questions concerning safe operation.

Call our customer service department at **720-287-5182**, **1-877-487-8275**, or visit www.dirtyhandtools.com if you have any questions or concerns about the safe operation of this equipment.



DANGER

INTENDED USE

Do Not Use the post hole digger for any purpose other than digging post holes in soil. Any other use is unauthorized and may result in serious injury or death.

PERSONAL PROTECTIVE EQUIPMENT

When operating this post hole digger it is essential that you wear safety gear including goggles or safety glasses, steel toed shoes and tight fitting gloves (no loose cuffs or draw strings).



CAUTION

Do Not wear loose clothing or jewelry that can be caught by moving parts of the post hole digger including the auger and driveline. Keep clothing and hair away from all moving parts when operating.





DANGER

GENERAL SAFETY

Failure to follow warnings, cautions, assembly and operation instructions in the Operation Manual may result in serious injury or death.

Read the Operation Manual before operation.

- **Do not** permit others that have not read and understood the complete Operation Manual to operate this equipment.
- Keep all people and pets a minimum of 10 feet away from the work area when operating this post hole digger.
- **Do not** operate the post hole digger when under the influence of alcohol, drugs or medication.
- **Do not** allow a person who is tired or otherwise impaired or not completely alert to operate the post hole digger
- **Always** check with authorities for underground utilities before digging holes. Serious injury or death could result from contact with gas or electric lines.
- **Make sure** that the auger point and cutting edges are intact and in good working condition prior to use.



DANGER

**ONLY ONE PERSON SHOULD OPERATE THE
DIGGER.**

**DO NOT MOVE THE POST HOLE DIGGER WITH THE
ENGINE RUNNING.**

**DO NOT OPERATE THE POST HOLE DIGGER WITH
ANYONE IN CONTACT WITH ANY PART OF THE
IMPLEMENT OR AUGER.**

**SERIOUS INJURY CAN RESULT FROM
ENTANGLEMENT WITH MOVING PARTS.**

Important Safety Information



DANGER

ALWAYS turn off the post hole digger if a rock or other obstacle is encountered during operation to prevent damage to the equipment or possible operator injury.

ONLY PERFORM MAINTENANCE such as lubrication, adjustments and repairs with the engine turned off and the spark plug wire detached. Allow the engine to cool down before performing any adjustments or maintenance to this post hole digger.



CAUTION

AVOID THE MUFFLER and surrounding areas which become extremely hot when the post hole digger has been running for a short amount of time.



DANGER

DO NOT OPERATE INDOORS or in confined areas lacking proper ventilation. Engine exhaust contains carbon monoxide, which is an odorless, colorless poisonous gas.



CAUTION


FIRE DANGER Allow the engine to cool down for several minutes before fueling.

Important Safety Information

SAFETY DECALS

Make sure all safety warning decals are attached and in readable condition. Replace missing or defaced decals. Contact Dirty Hand Tools at 1-877-487-8275 for replacement decals.

104894



CAUTION !

- READ MANUAL
- POISON EXHAUST
- MOVING PARTS
- WEAR GOGGLES
- WEAR GLOVES
- WEAR BOOTS
- AVOID HOT PARTS

104897



CAUTION !
HOT SURFACE
DO NOT TOUCH
MUFFLER !

104898

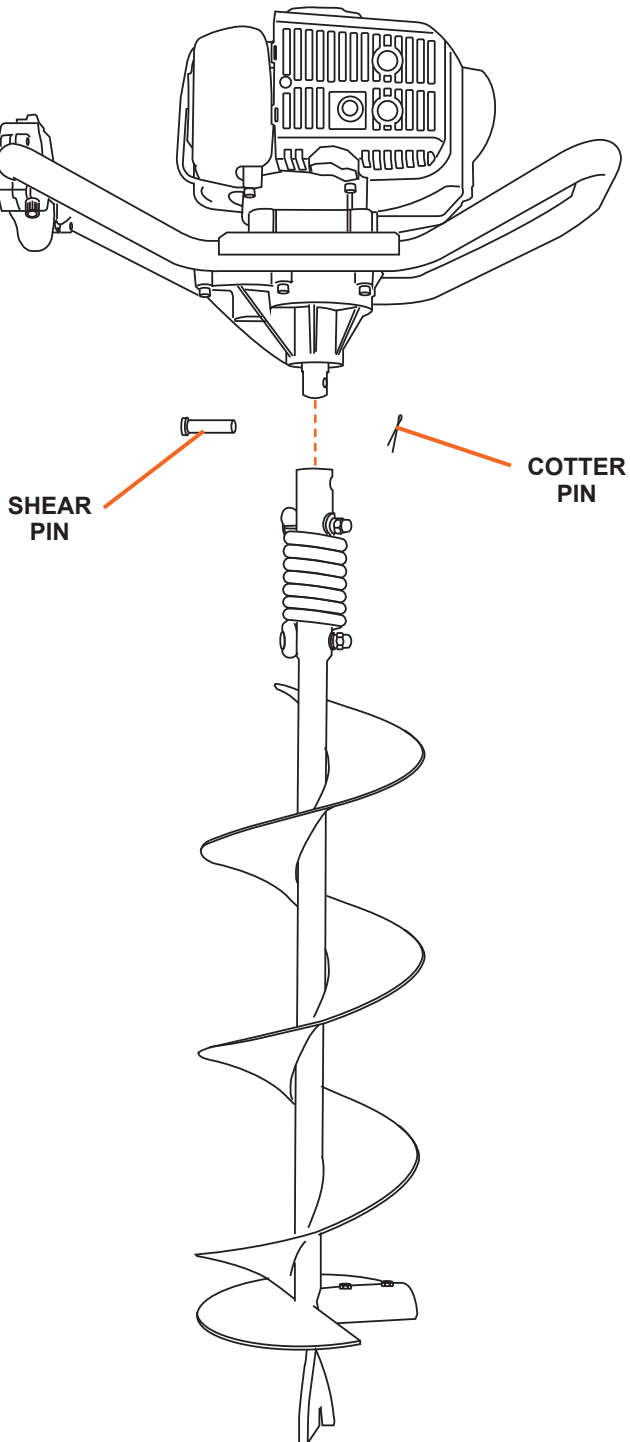


CAUTION !
FIRE DANGER
FUEL WITH
COOL ENGINE !

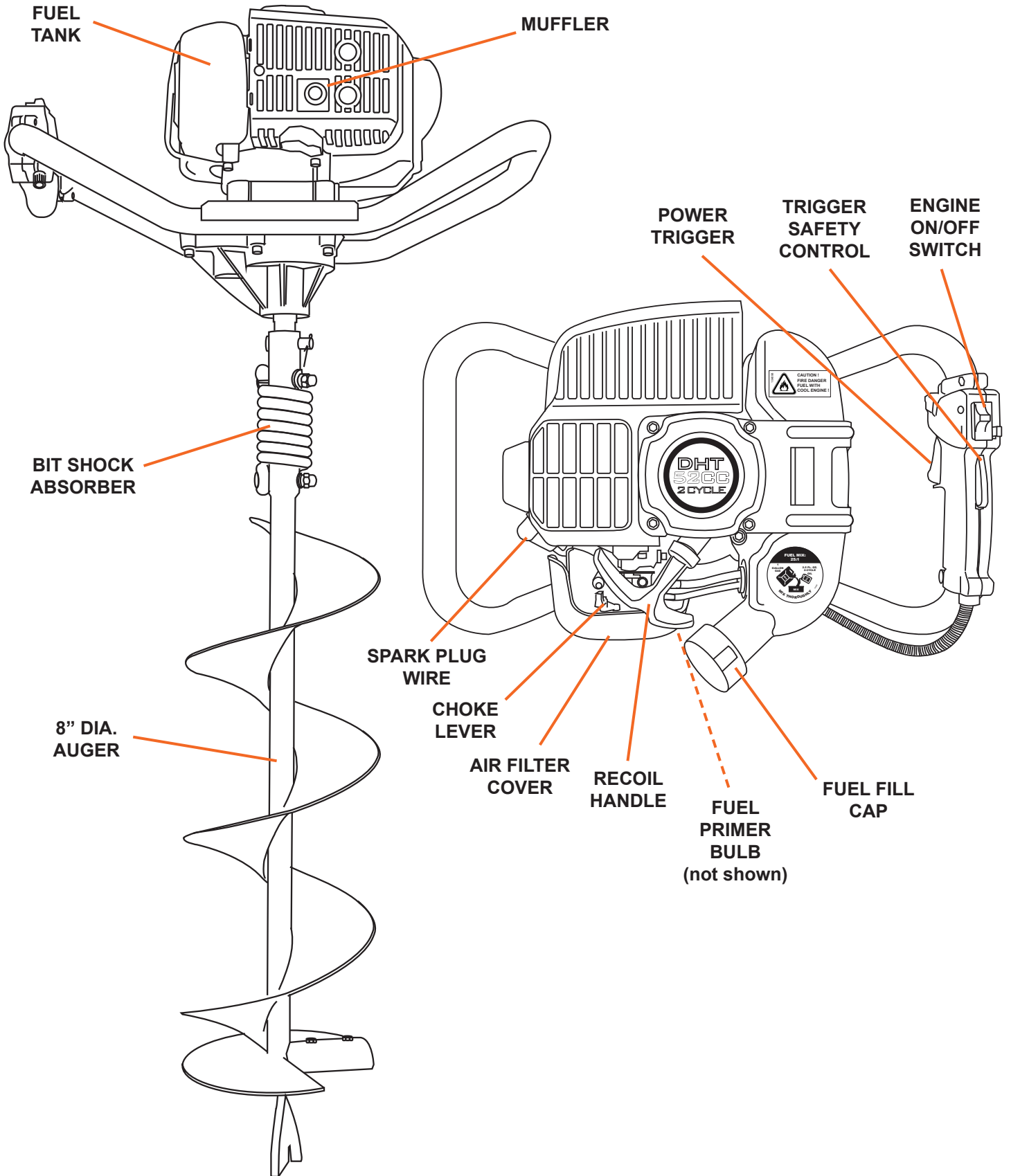
Auger Assembly

Attach the auger.

Attach the auger to the output shaft on the bottom of the post hole digger, lining up the holes in the auger with the output shaft and securing with 1/2 in. x 2 in. shear pin and cotter pin. Bend ends of the cotter pin to hold in place.



Components





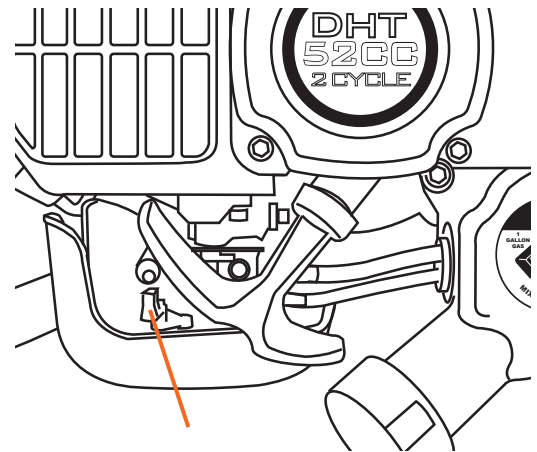
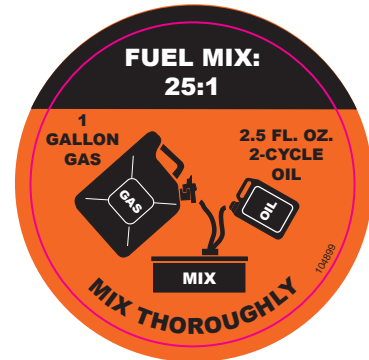
Operation



WARNING

WARNING: Read and thoroughly understand all instructions and safety information before assembling or operating this post hole digger. Failure to do so may cause serious injury or death.

1. In a separate container mix gasoline and 2-cycle engine oil in a ration of 25 parts gasoline to one part 2-cycle engine oil (approximately 1 gallon of gas to 2.5 fluid ounces oil). Mix thoroughly before adding to the post hole digger's fuel tank.
2. Turn the engine switch on the right handle bar to the ON position (backwards).
3. Slide the choke level to the choke position. 
4. Press the fuel priming bulb three or four times.
5. Pull the recoil handle slowly and release.
6. Pull the recoil handle quickly to start engine.
7. Allow the engine to run for a few minutes then move choke to the run position. 
8. Lower the auger to the ground at the desired angle for hole digging.
9. Engage the power trigger to start digging at a slow speed lowering the auger slowly as the hole is dug. Increase the speed as the auger goes deeper into the ground by depressing the power trigger further. The type of soil will determine the proper auger speed. A very hard or compacted soil may require operation at varying speeds to be the most efficient in digging.
10. After the desired hole depth has been reached, spin the auger at a high speed to clear the hole of soil. Reduce the speed before withdrawing the auger from the hole by easing up on the power trigger, then releasing the power trigger entirely.



CHOKE LEVER

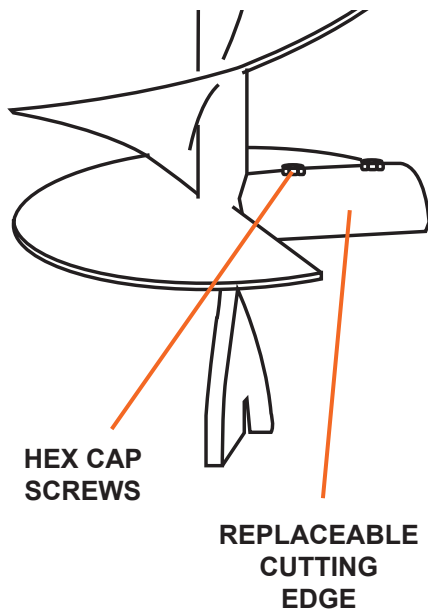


CAUTION

STOP THE AUGER BY PUSHING THE ENGINE ON/OFF SWITCH FORWARDS

If a rock or other obstacle is encountered that is too large for the auger to displace the post hole digger will begin to vibrate. Slowly withdraw the auger from the hole completely. Push the engine on/off switch forward to stop the engine and remove the obstacle manually. Slowly lower the auger into the hole and engage the power to complete digging the hole.

Maintenance



WARNING

ALWAYS PERFORM MAINTENANCE OPERATIONS WITH THE ENGINE POWERED OFF, THE SPARK PLUG WIRE DETACHED, AND THE AUGER TIP RESTING ON THE GROUND

Replace the cutting blade on the auger when it shows excessive wear or it is unusually difficult to drill holes. To remove the cutting blade from the auger, remove the two 1/2 in. hex cap screws. The cutting blade can be replaced with a new blade or it can be sharpened with a file, then replaced.

Check the oil level after every 50 hours of operation. Use EP90 lubricant or equivalent and fill to oil level plug. Always use the same replacement lubricant type.

Troubleshooting

PROBLEM	SOLUTION
Engine will not start	<ul style="list-style-type: none"> • Add fuel to fuel tank. • Connect spark plug wire to spark plug • Choke should be at start position for a cold start • Engine On/Off switch is OFF
Engine runs rough, floods during operation	<ul style="list-style-type: none"> • Clean or replace air cleaner
Engine is hard to start	<ul style="list-style-type: none"> • Drain old fuel and replace with fresh. Make sure the 2-cycle oil to gas mixture is correct. • Make sure spark plug wire is securely attached • Trigger safety control must be released • Choke is not in proper start position
Engine misses or lacks power	<ul style="list-style-type: none"> • Remove and clean fuel tank • Clean or replace air cleaner • Improper carburetor adjustment, take to authorized engine service center • Replace spark plug and adjust gap • Drain and refill gas tank and carburetor
Auger turns when engine idles	<ul style="list-style-type: none"> • Idle speed too high
Auger jumps when drilling	<ul style="list-style-type: none"> • Cutting edge needs to be sharpened or replaced

Warranty & Specifications

IMPORTANT NOTICE

We, the manufacturer, reserve the right to change the product and/or specifications in this manual without notification. The manual is for information usage only and the pictures and drawings depicted herein are for reference only.

Warranty Repair and Service

Do not return this product to the store for warranty issues or repair. Call our customer service department at **720-287-5182**, **1-877-487-8275**, or visit www.dirtyhandtools.com for the location of the nearest service center.

Record the information below for future reference.

Model No. _____

Serial No. _____

Date of Purchase _____

Place of Purchase _____

Specifications

SKU/Part No.	104306
Description	Hand Held Post Hole Digger
Engine	52cc, 2-stroke
Fuel	25:1 Gasoline to 2-cycle engine oil
Fuel Tank Capacity	27 fluid ounces (0.8L)
Auger Diameter	8 inches diameter
Maximum Engine Speed	9500rpm
Idle Engine Speed	2700rpm
Auger Speed	110-280rpm
Shear Bolt	Replaceable, on driveshaft
Augers	4 in. auger, part # 104881 6 in. auger, part # 104882 8 in. auger, part # 104383 (original replacement) 10 in. auger, part #104884
Shipping Weight	35 lbs
Warranty	2 Year Limited Warranty

Dirty Hand Tools® is a brand of
 **FrictionlessWorld**
1100 W 120th Ave., Suite 600
Westminster, CO 80234 • 720-287-5182

For Service or Questions
Call 1-877-487-8275
720-287-5182
www.dirtyhandtools.com